

DISCONTINUED
END OF 2019

PERFORMER 2

Bactericidal joint



WALL PROTECTION AND HANDRAIL - 140 MM HIGH

Applications

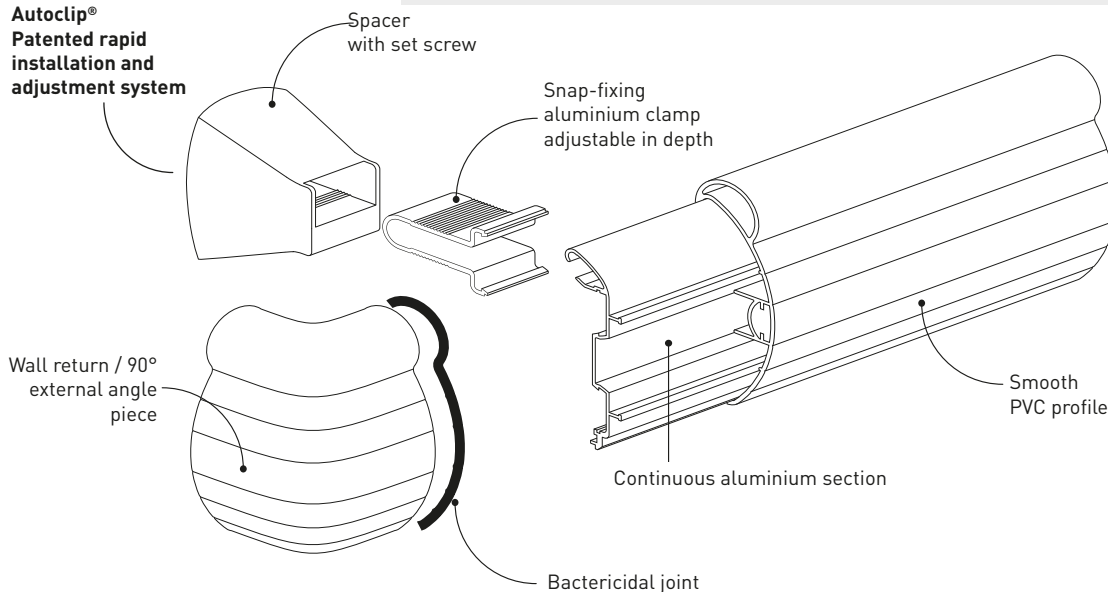
Offering both an excellent handgrip and impact resistance for corridors, this protection handrail, is ideal for all public buildings: hospitals, clinics, re-education centres, retirement homes. It benefits from a patented installation system called autoclip® which facilitates and speeds up the installation and helps to hide any faults in the wall. It is fitted with bactericidal joints.

Specification

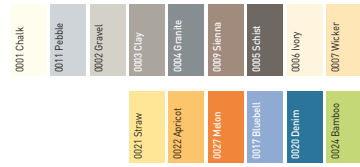
- Description: hand and wall protection rail (Performer 2 as manufactured by SPM) from 3 mm thick smooth and antibacterial PVC achieving Bs2d0 fire rating with solid colour. The 140 mm high system combines a completely smooth tubular upper part (diameter 40 mm) and a lower wall protection rail with decorative grooves. A protective film is specified to minimise cleaning before acceptance. The PVC profile snap-fixes onto a continuous aluminium section and finish is provided by smooth PVC accessories with decorative grooves (wall returns, 90° external angles). The unit is fitted in the spacer with adjustable in depth aluminium clamp. Overall projection is adjustable, minimum 105 mm. Bactericidal joints are provided for the junctions between profile sections and accessories.

- Environment: no heavy metals and no substance potentially subjected to any REACH restriction are used in its manufacture, nor PBT/BPA. The calcium-zinc thermal stabilisation process is used. The emission level of volatile substance in inside air has been tested according to ISO 16000-6 and is very low (A+) according to the French regulation (23 March 2011 nr 2011-321 Decree and 19 April 2011 Order). 100% of the product are recyclable.
- Colour: selected by architects from manufacturer's standard range. The colours of the accessories are the same as the profile of the protection handrail.
- Installation method: upper edge of section 0.90 m max. above floor level. Adjustable fixing on composite spacers to be fitted at 1.20 m centres (0.80 m centres in heavy traffic corridors and on light partitions like plasterboard). Wall returns and external angles fixing with pop rivets.

Autoclip®
Patented rapid
installation and
adjustment system



Performer 2
15 colours*

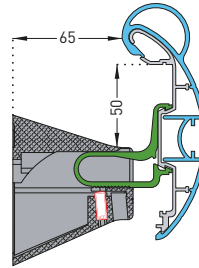


*and 16 colours on request
(Please consult us)

Description

- Model: Performer 2 wall protection and handrail
- Height: 140 mm
- Tubular upper part diameter: 40 mm
- Length: 4 m
- Overall projection: Minimum 105 mm adjustable
- Stand-off from wall: minimum 55 mm adjustable
- Material: 3 mm thick antibacterial and Bs2d0 fire-rated PVC, solid colour, bactericidal joints

- Surface finish: smooth upper handrail, smooth wall protection rail with decorative grooves
- Fixing components: adjustable fixing on composite spacers to be fitted at 1.20 m centres (0.80 m centres in heavy traffic corridors and on light partitions like plasterboard)
- Colours: 15 standard



Performer 2

This version has been adapted for the UK in accordance with approved Document M to satisfy the DDA requirements

